

# I-phase Vario®-transformer IP00



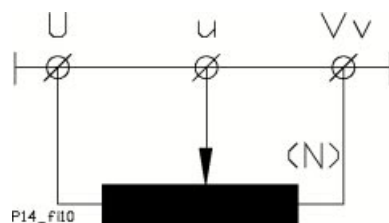
## Type RV & R

Open single-phase Vario® transformer designed and tested according to VDE0570. Designed as a toroidal autotransformer. Degree of protection IP00. The Noratel Vario® transformer is an optimal solution when continuous control of voltage and current is preferable. The construction ensures a clean sinusoidal voltage and no radio interference or additional harmonics are generated.

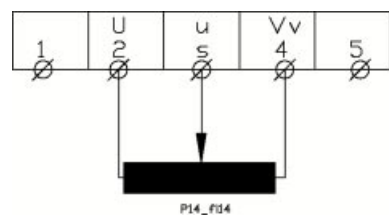
### Applications:

For continuous adjustment of alternating voltage and currents. In addition to standard types, Vario® variable transformers are supplied strictly on customer request.

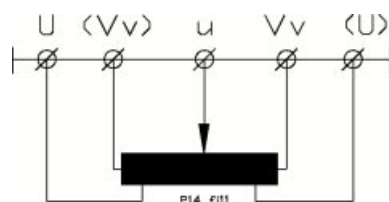
## Wiring diagram



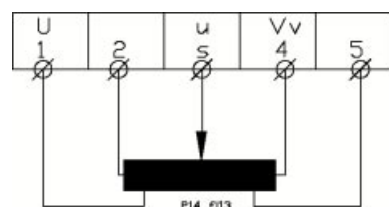
RV230



R230



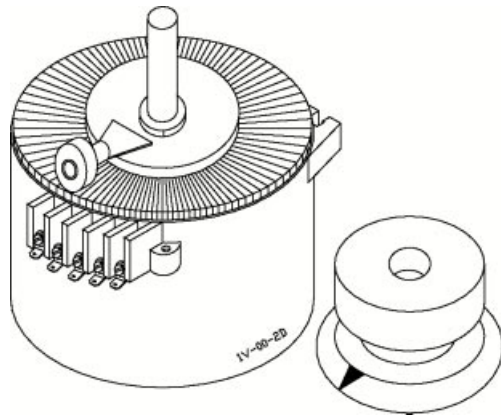
RV260



R260

## Standard types

| Type              | Voltage Prim. (V) | Voltage Sec. (V) | Max current Sec. (A) | Weight (Kg) | Art. no.     |
|-------------------|-------------------|------------------|----------------------|-------------|--------------|
| <b>230/0-230V</b> |                   |                  |                      |             |              |
| RV230/1,6         | 230               | 0-230            | 1,6                  | 1,8         | 4-101-100142 |
| RV230/4           | 230               | 0-230            | 4                    | 3,6         | 4-101-100042 |
| RV230/6,3         | 230               | 0-230            | 6,3                  | 4,9         | 4-101-100632 |
| RV230/10          | 230               | 0-230            | 10                   | 6,5         | 4-101-100102 |
| R230/18           | 230               | 0-230            | 18                   | 9,6         | 4-101-100182 |
| R230/25           | 230               | 0-230            | 25                   | 16,2        | 4-101-100252 |
| <b>230/0-260V</b> |                   |                  |                      |             |              |
| RV260/1,6         | 230               | 0-260            | 1,6                  | 2,0         | 4-101-100165 |
| RV260/4,5         | 230               | 0-260            | 4,5                  | 4,9         | 4-101-100455 |
| RV260/8           | 230               | 0-260            | 8                    | 6,5         | 4-101-100085 |
| R260/15           | 230               | 0-260            | 15                   | 9,6         | 4-101-100155 |
| R260/20           | 230               | 0-260            | 20                   | 16,2        | 4-101-100205 |



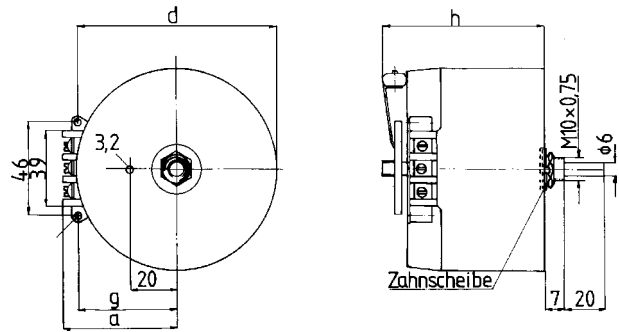
### Technical specifications

- Input voltage: 230V
- Frequency: 48-400Hz
- Output voltage: 0-230V  
0-260V
- According to: VDE0570, IEC60989  
EN61558-2-14
- Test/insulating voltage: 2kV AC RMS
- Construction class: I
- Insulation class: E (120°C)
- Ambient temp. ( $t_a$ ): 40°C
- Degree of protection: IP00

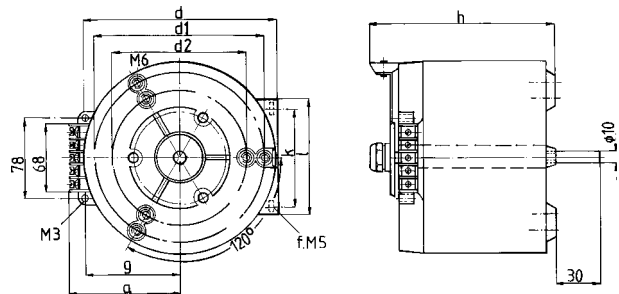
### Dimensions

| Type              | Dimensions (mm) |     |    |     |    |    | Dim. draw. |
|-------------------|-----------------|-----|----|-----|----|----|------------|
|                   | a               | d   | g  | h   | k  | l  |            |
| <b>230/0-230V</b> |                 |     |    |     |    |    |            |
| RV230/1,6         | 55              | 88  | 43 | 77  | -  | -  | 1          |
| RV230/4           | 62              | 106 | 55 | 93  | -  | -  | 1          |
| RV230/6,3         | 72              | 125 | 55 | 130 | 66 | 82 | 2          |
| RV230/10          | 83              | 148 | 76 | 122 | 76 | 92 | 2          |
| R230/18           | 95              | 225 | -  | 160 | -  | -  | 3          |
| R230/25           | 130             | 300 | -  | 150 | -  | -  | 4          |
| <b>230/0-260V</b> |                 |     |    |     |    |    |            |
| RV260/1,6         | 55              | 88  | 43 | 82  | -  | -  | 1          |
| RV260/4,5         | 72              | 125 | 55 | 130 | 66 | 82 | 2          |
| RV260/8           | 83              | 148 | 76 | 122 | 76 | 92 | 2          |
| R260/15           | 95              | 225 | -  | 160 | -  | -  | 3          |
| R260/20           | 130             | 300 | -  | 150 | -  | -  | 4          |

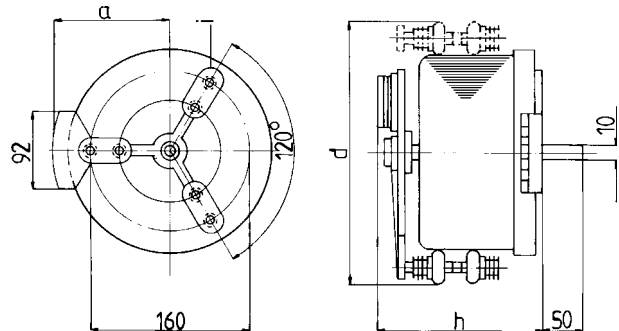
### Dimensions 1 (mm)



### Dimensions 2 (mm)



### Dimensions 3 (mm)



### Dimensions 4 (mm)

