

3-phase Vario®-transformer IP00

Type YRN

Open three-phase Vario® transformer designed and tested according to EN61558 - VDE0570. Designed as three separate single phase toroidal autotransformers. Degree of protection IP00. The Noratel Vario® transformer is an optimal solution when continuous control of voltage and current is preferable. The construction ensures a clean sine voltage and no radio interference or additional harmonics are generated.



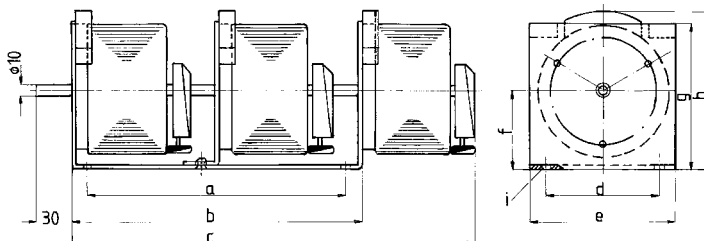
Applications:

For continuous adjustment of alternating voltage and currents. In addition to standard types, Vario® variable transformers are supplied strictly on customer request.

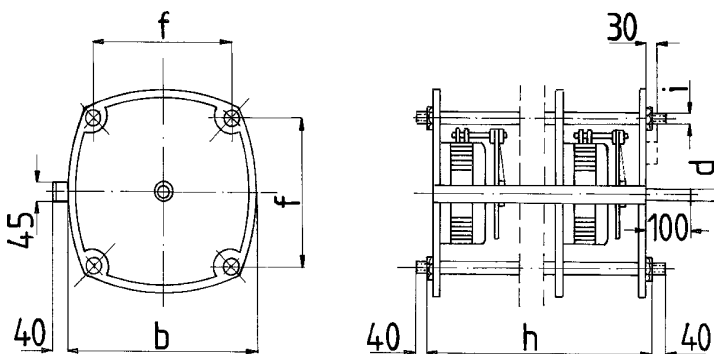
Technical specifications

- Input voltage: 3x230V
3x400V
- Frequency: 48-400Hz
- Output voltage: 3x0-230V, 3x0-400V
3x0-260V, 3x0-450V
- According to: VDE0570, IEC60989
EN61558-2-14
- Test/insulating voltage: 2kV
- Construction class: I
- Insulation class: E (120°C)
- Ambient temp. (t_a): 40°C
- Degree of protection: IP00

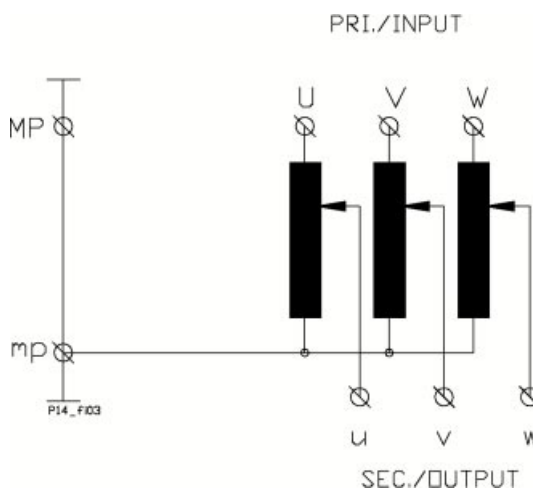
Dimensions 1 (mm)



Dimensions 2 (mm)



Wiring diagram



Dimensions

Type	Dimensions (mm)								Dim.- draw.
	a	b	c	d	e	f	g	h	
YRN400/4,5	243	279	390	110	140	75	135	150	1
YRN400/10	243	279	405	160	190	100	165	195	1
YR400/25	-	335	-	10		249	-	510	2
YRN450/3,15	243	279	390	110	140	75	135	150	1
YRN450/8	243	279	405	160	190	100	165	195	1
YR450/20	-	335	-	10		249	-	510	2

Standard types

Type	Voltage Prim. (V)	Voltage Sec. (V)	Max current Sec. (A)	Weight (Kg)	Art. no:
3x400/230//3x0-400/0-230V					
YRN400/4,5	3x400	3x0-400	3x4,5	14,5	4-103-240004
	3x230	3x0-230			
YRN400/10	3x400	3x0-400	3x10	23,6	4-103-240010
	3x230	3x0-230			
YR400/25	3x400	3x0-400	3x25	51,0	4-103-240025
	3x230	3x0-230			
3x400/230//3x0-450/0-260V					
YRN450/3,15	3x0-400	3x0-450	3x3,15	14,5	4-103-245003
	3x0-230	3x0-260			
YRN450/8	3x0-400	3x0-450	3x8	23,6	4-103-245008
	3x0-230	3x0-260			
YR450/20	3x0-400	3x0-450	3x20	51,0	4-103-245020
	3x0-230	3x0-260			