

Toroidal transformers standard range

Type RT

Single-phase toroidal transformers, power range from 20 to 300VA. Designed and tested according to EN61558. Suitable for installation in electronically equipment. Designed as a safety isolating transformer with separate insulated windings and prepared for class II equipment. Short circuit and overload protected with thermal fuse on primary side. Up to 50% less weight than a similar conventional transformer. Low magnetisation currents and no-load losses.

Applications:

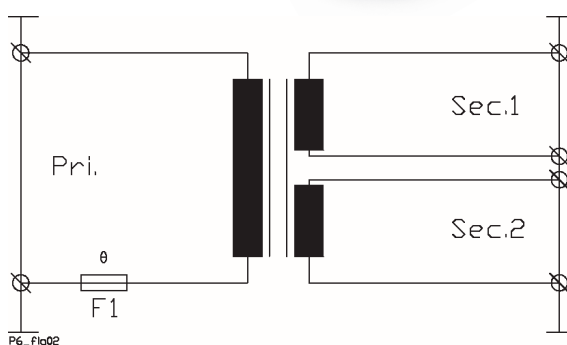
Suitable as safety isolating transformer in constructions where low weight, flexible dimensions and optimum conditions between dimensions are preferable.

Technical specifications

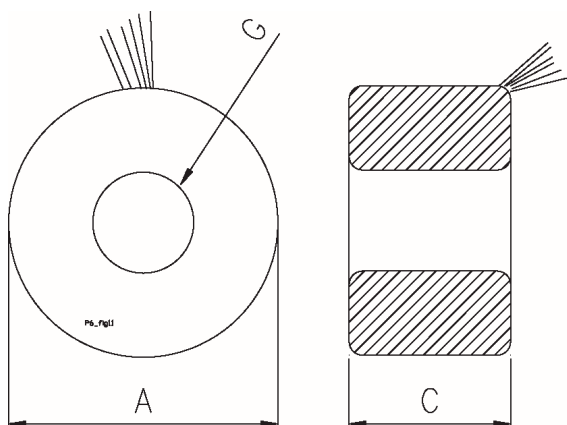
- Input voltage: 230V
- Frequency: 50-60Hz
- Output voltage: max 2x45V
- According to: EN61558
- Test/insulating voltage: 4kV AC RMS
- Construction class: II
- Insulation class: B (130°C)
- Ambient temp. (t_a): 40°C
- Degree of protection: IP00
- Supplied with rubber pads and metal washer



Wiring diagram



Dimensions



Dimensions

Type	Power (VA)	Cu-loss (W)	Fe-loss (W)	Ø ext. A (mm)	Ø inner G (mm)	Height C (mm)	Weight (Kg)
RT020	20	5,6	0,3	63	19	28	0,3
RT050	50	8,7	0,6	72	26	40	0,6
RT080	80	13,7	0,9	78	26	47	0,9
RT100	100	16,9	1,1	92	34	48	1,1
RT120	120	18,3	1,4	89	36	52	1,4
RT160	160	23,4	1,8	99	36	52	1,8
RT200	200	24,1	2,1	108	36	52	2,1
RT250	250	25,3	2,3	110	38	60	2,3
RT300	300	28,7	2,7	112	38	66	2,7

Standardmodels

Type	Voltage Sec. (V)	Current Sec. (A)	Power (VA)	Art. no.
230/2x6 V				
RT020-2006	2x6	2x1,67	20	4-115-020206
RT050-2006	2x6	2x4,17	50	4-115-150206
RT080-2006	2x6	2x6,67	80	4-115-108206
230/2x10 V				
RT020-2010	2x10	2x1,0	20	4-115-102210
RT050-2010	2x10	2x2,5	50	4-115-105210
RT080-2010	2x10	2x4,0	80	4-115-108210
RT120-2010	2x10	2x6,0	120	4-115-112210
230/11,5 V				
RT020-1011*	11,5	1,74	20	4-116-102111
RT050-1011*	11,5	4,35	50	4-116-105111
RT100-1011*	11,5	8,7	100	4-116-110111
230/2x12 V				
RT020-2012	2x12	2x0,83	20	4-115-102212
RT050-2012	2x12	2x2,08	50	4-115-105212
RT080-2012	2x12	2x3,33	80	4-115-108212
RT120-2012	2x12	2x5,0	120	4-115-112212
RT160-2012	2x12	2x6,67	160	4-115-116212
230/2x15 V				
RT020-2015	2x15	2x0,67	20	4-115-102215
RT050-2015	2x15	2x1,67	50	4-115-105215
RT080-2015	2x15	2x2,67	80	4-115-108215
RT120-2015	2x15	2x4,0	120	4-115-112215
RT160-2015	2x15	2x5,33	160	4-115-116215
RT200-2015	2x15	2x6,67	200	4-115-120215
230/2x18 V				
RT020-2018	2x18	2x0,56	20	4-115-102218
RT050-2018	2x18	2x1,39	50	4-115-105218
RT080-2018	2x18	2x2,22	80	4-115-108218
RT120-2018	2x18	2x3,33	120	4-115-112218
RT160-2018	2x18	2x4,44	160	4-115-116218
RT200-2018	2x18	2x5,55	200	4-115-120218
RT250-2018	2x18	2x6,94	250	4-115-125218
RT300-2018	2x18	2x8,33	300	4-115-130218
230/2x22 V				
RT050-2022	2x22	2x1,14	50	4-115-105222
RT080-2022	2x22	2x1,82	80	4-115-108222
RT120-2022	2x22	2x2,73	120	4-115-112222
RT160-2022	2x22	2x3,64	160	4-115-116222

Type	Voltage Sec. (V)	Current Sec. (A)	Power (VA)	Art. no.
230/2x24 V				
RT020-2024	2x24	2x0,42	20	4-115-102224
RT050-2024	2x24	2x1,04	50	4-115-105224
RT080-2024	2x24	2x1,67	80	4-115-108224
RT120-2024	2x24	2x2,5	120	4-115-112224
RT160-2024	2x24	2x3,33	160	4-115-116224
RT200-2024	2x24	2x4,17	200	4-115-120224
RT250-2024	2x24	2x5,21	250	4-115-125224
RT300-2024	2x24	2x6,25	300	4-115-130224
230/2x30 V				
RT080-2030	2x30	2x1,33	80	4-115-108230
RT120-2030	2x30	2x2,0	120	4-115-112230
RT160-2030	2x30	2x2,67	160	4-115-116230
RT250-2030	2x30	2x4,17	250	4-115-125230
230/2x33 V				
RT300-2033	2x33	2x4,55	300	4-115-130233
230/2x35 V				
RT120-2035	2x35	2x1,71	120	4-115-112235
RT160-2035	2x35	2x2,29	160	4-115-116235
RT200-2035	2x35	2x2,78	200	4-115-120235
230/2x38 V				
RT250-2038	2x38	2x3,29	250	4-115-125238
RT300-2038	2x38	2x3,95	300	4-115-130238
230/2x40 V				
RT160-2040	2x40	2x2,0	160	4-115-116240
230/2x42 V				
RT200-2042	2x42	2x2,38	200	4-115-120242
RT250-2042	2x42	2x2,98	250	4-115-125242
RT300-2042	2x42	2x3,57	300	4-115-130242
230/2x45 V				
RT160-2045	2x45	2x1,78	160	4-115-116245

*Termoswitch, $t_g = 60^\circ\text{C} / \text{B}$

Toroidal transformers with 2 secondary voltages can be used as separate series- or parallel connected.

Standard types can be supplied with potted centre hole (RTD) or potted in polyamid housings (RTV).