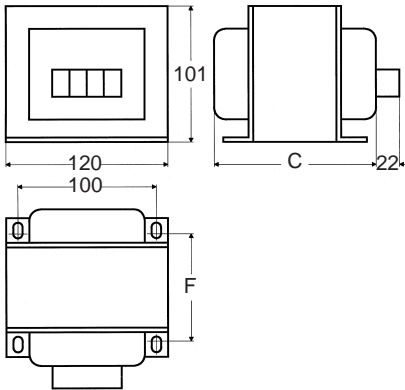
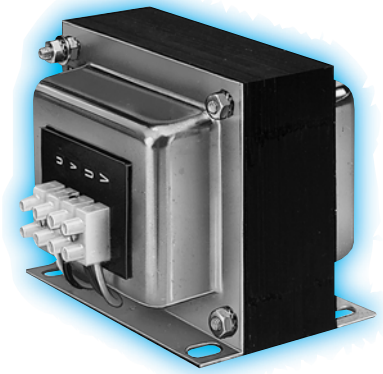


Type LE-01 & LE-02

Picture showing type LE-01



Intermediate voltage transformer, single pole insulated, with electrically separated windings

Selection of type LE-01 or LE-02 is dependent upon the electrical requirements of the transformer

Type LE-01 LE-02

C	100	120
F	60	80

Standard secondary voltage:		Standard primary voltage:			
57.74V	110V	57.74	110V	220V	440V
60V	115V	60V	115V	300V	500V
63.5V	120V	63.5V	120V	380V	600V
100V		100V	200V	400V	750V

Type	Standard primary voltage	Burden in VA in Class			Cat. no
		0.5	1	3	
LE-01	57.74 - 500	5	10	20	800-5000
LE-01	500 - 750	5	10	20	800-5001
LE-02	57.74 - 500	15	30	50	800-5010
LE-02	500 - 750	15	30	50	800-5011

Limits of error:

The voltage error and phase displacement shall not exceed the values given in the table at any voltage between 80% and 120% of rated voltage and with any burden between 25% and 100% of rated burden, power factor 0.8 lagging. (ref. IEC 44-2)

Class	Percentage Voltage error +/-	Phase displacement +/-	
		minutes	centirad.
0.2	0.2	10	0.3
0.5	0.5	20	0.6
1.0	1.0	40	1.2
3.0	3.0	-	-

special primary or secondary voltage
2 or more ratios, secondary change
2 or more ratios, primary change
increased burden

on request
on request
on request
on request