

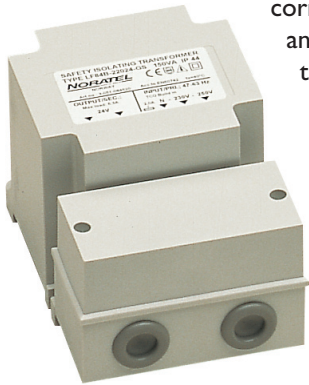
Encapsulated autotransformer, IP44

Type A-P

Single-phase short circuit proof autotransformer designed and tested according to EN61558-2-13. No galvanic separation between primary and secondary voltage. Insulated windings moulded in self extinguishing Polyurethane and capsulated in plastic. This protects the transformer against hostile environment such as dust, humidity and corrosion. For fixed installation, simple and easy mounting. Short circuit protected with glass tube fuse and overload protected with "cut out" fuse.

Applications:

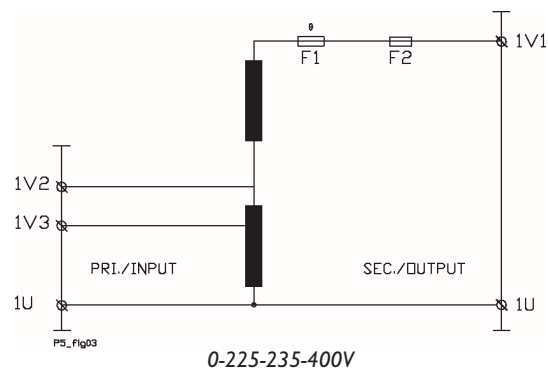
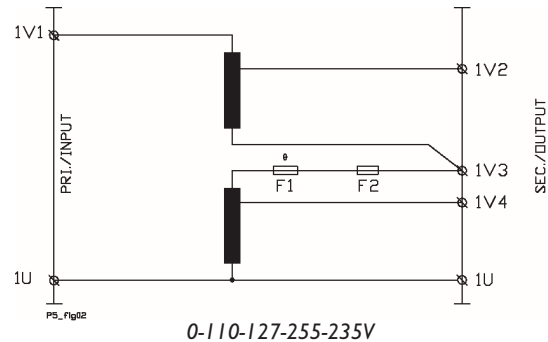
Uses to change voltage from 400 to 230 Volts, 230 to 110 Volts or vice versa. Supplied with a large number of tapplings/ adjustments for several stages desired. Custom designed models on request.



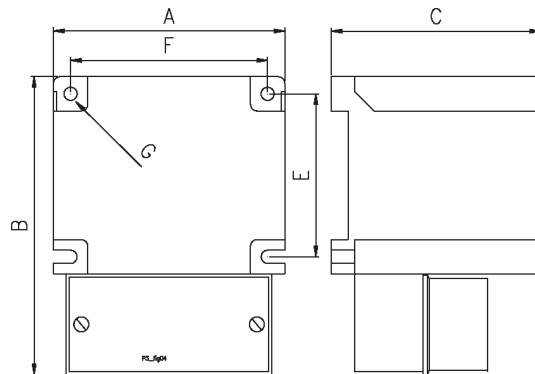
Technical specifications

- Input voltage: 0-400V
- Frequency: 50-60Hz
- Output voltage: 0-400V
- According to: EN61558-2-13
- Test/insulating voltage: 2kV AC RMS
- Construction class: II
- Insulation class: B (130°C)
- Ambient temp. (t_a): 40°C
- Degree of protection: IP44

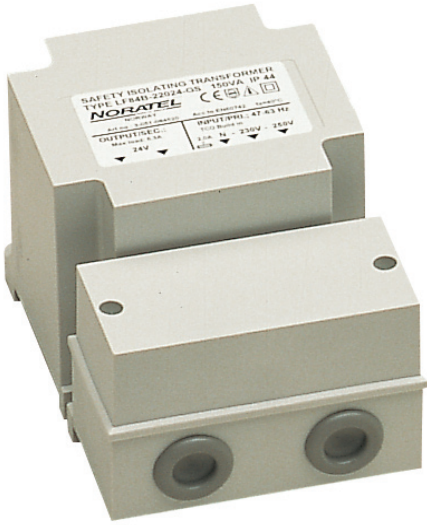
Wiring diagram



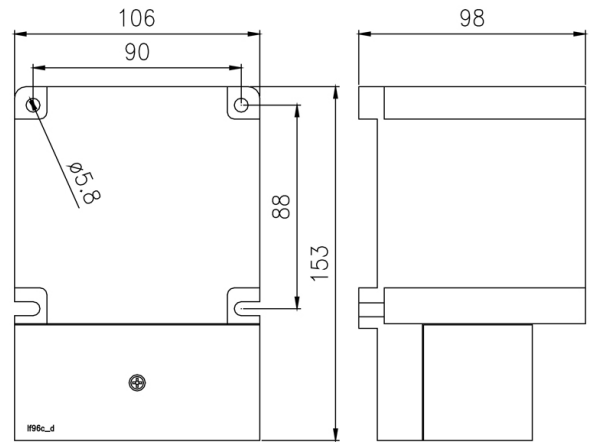
Dimensions



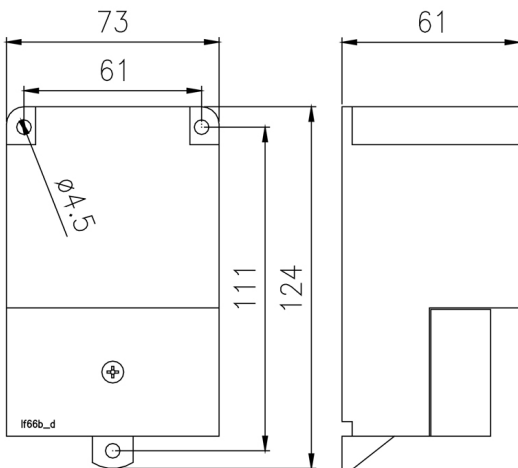
Type	Voltage (V)	Power (VA)	Dimensions (AxBxC)	Weight (Kg)	Art. no.
0-110-127-225-235 V					
A157-151P	0-110-127-225-235	260	92x130x87	2,5	4-058-144151
A179-152P	0-110-127-225-235	480	106x153x98	4,1	4-058-144152
A193-154P	0-110-127-225-235	1000	130x202x115	8	4-058-144154
A218-156P	0-110-127-225-235	2000	162x235x140	15	4-058-144156
0-225-235-400 V					
A147-181P	0-225-235-400	150	73x113x61	1,3	4-058-144181
A157-182P	0-225-235-400	300	92x130x87	2,5	4-058-144182
A179-183P	0-225-235-400	600	106x153x98	4,2	4-058-144183
A193-184P	0-225-235-400	1000	130x202x115	7,7	4-058-144184
A218-186P	0-225-235-400	2000	162x235x140	15	4-058-144186



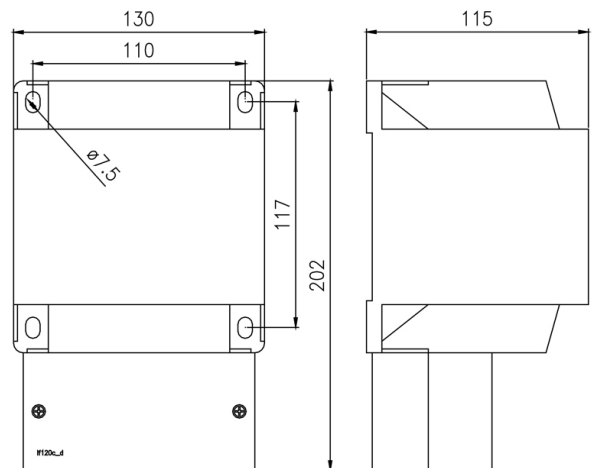
A179-152P / A179-183P



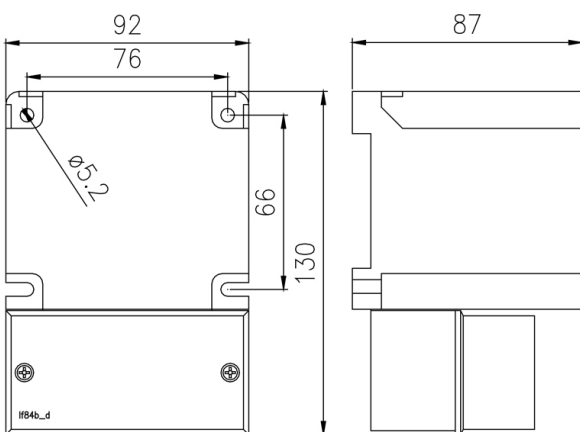
A147-181P



A193-154P / A193-184P



A157-151P / A157-182P



A218-156P / A218-186P

